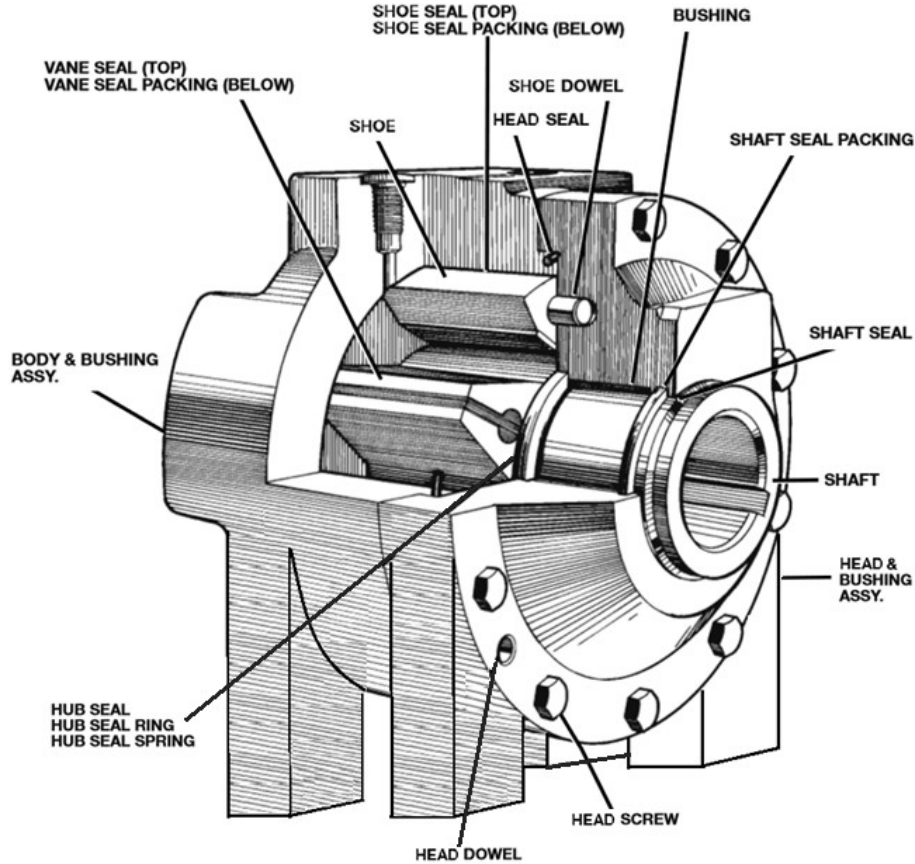


HOW TO ORDER HS-1.5, HS-2.5, HS-004



HOW TO ORDER

Please fill in ALL blocks in accordance with the KEY numbers and letters shown below.

EXAMPLE: HS - 004 - 1V - E/B - V - A - A - 7

□ - □ - □ - □ - □ - □ - □ - □

BLOCK # 1 2 3 4 5 6 7 8

Block 1 (MODEL)
HS Hollow Shaft

Block 2 (SIZE)
1.5
2.5
004

Block 3 (VANES)
1V Single Vane

Block 4 (MOUNTING)
E/B End/Base

Block 5 (SEALS)
B Buna "N" Standard Shaft Seal
V Viton Standard Shaft Seal
E Ethylene Propylene

Block 6 (SHAFT CONFIGURATION)
A Standard (Internal key for HS)
M Internal spline (HS)
Z Special

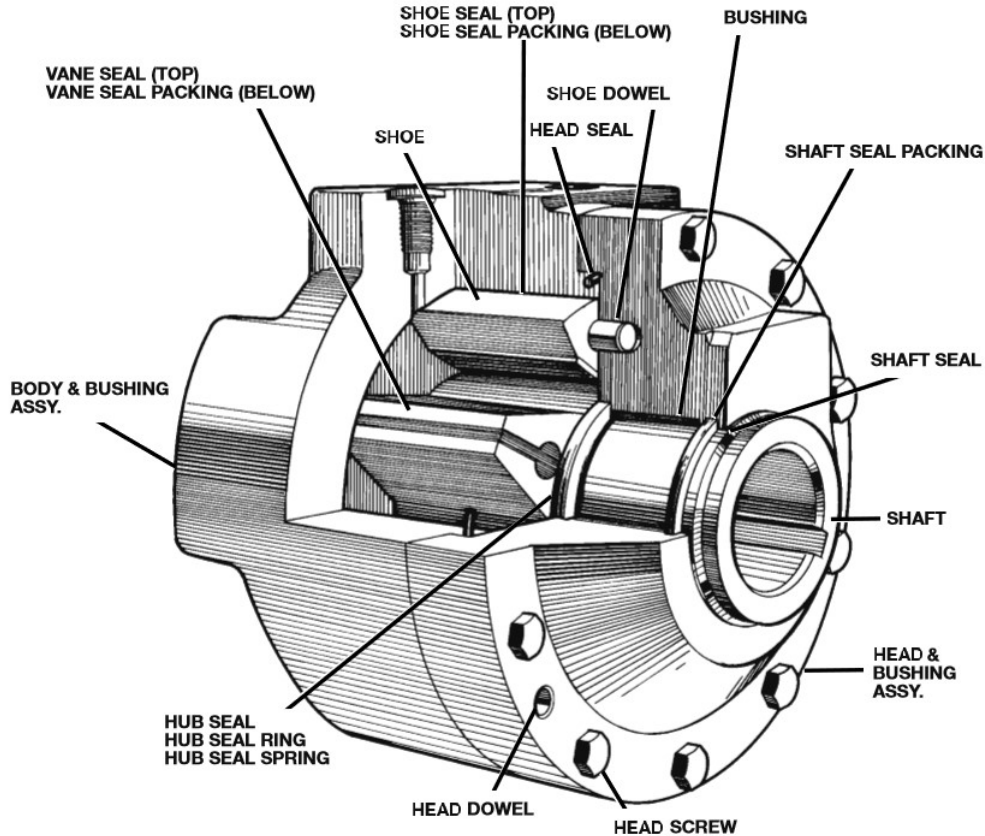
Block 7 (SHAFT MODIFICATION)
A Standard (No modifications)
Z Special

Block 8 (PORTING)
1 NPT
2 SAE Straight Threads (Standard)
**5 End Ports – NPT
**6 End Ports – SAE
7 Manifold Ports (See Optional Porting for details)
0 BSPP Straight Threads
Z Special

** "End Ports" for HS Series means on non-mounting end, parallel to shaft.

NOTE: All "Z" (non-standard feature request) requires a "Request a Quote" to be filled out for Micromatic to review requirements

HOW TO ORDER HS-006, HS-010, HS-015



HOW TO ORDER

Please fill in ALL blocks in accordance with the KEY numbers and letters shown below.

EXAMPLE: HS - 006 - 2V - E - B - A - A - 2

□ - □ - □ - □ - □ - □ - □ - □

BLOCK # 1 2 3 4 5 6 7 8

Block 1 (MODEL)

HS Hollow Shaft

Block 2 (SIZE)

006

010

015

Block 3 (VANES)

1V Single Vane

2V Double Vane

Block 4 (MOUNTING)

E End

Block 5 (SEALS)

B Buna "N" Standard Shaft Seal

V Viton Standard Shaft Seal

E Ethylene Propylene

Block 6 (SHAFT CONFIGURATION)

A Standard (Internal key for HS)

M Internal spline (HS)

Z Special

Block 7 (SHAFT MODIFICATION)

A Standard (No modifications)

Z Special

Block 8 (PORTING)

1 NPT

2 SAE Straight Threads (Standard)

**5 End Ports – NPT

**6 End Ports – SAE

7 Manifold Ports (See Optional Porting for details)

0 BSPP Straight Threads

Z Special

** "End Ports" for HS Series means on non-mounting end, parallel to shaft. NOT available on 2V units.

NOTE: All "Z" (non-standard feature request) requires a "Request a Quote" to be filled out for Micromatic to review requirements