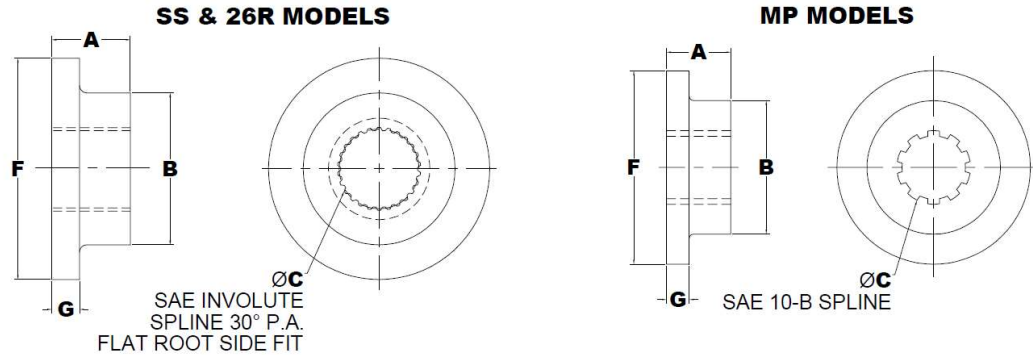


## COUPLINGS TYPE I

(See actuator model sections for SAE, ASA spline specifications)

### TYPE I COUPLINGS



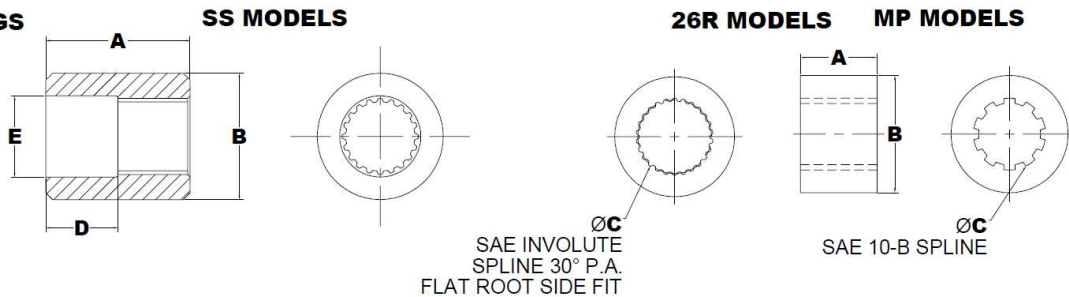
	PART #	MODEL	A (in)	B (in)	C (in)	F (in)	G (in)
For SS Models	451498-001	SS-001	1.00	1.75	20T-20/40P-1.0000PD	3.50	0.50
	451498-002	SS-004	1.50	2.50	24T-16/32P-1.5000PD	5.25	0.62
	451498-008	SS-008	2.00	3.00	30T-16/32P-1.8750PD	6.00	0.75
	451498-003	SS-012	2.25	3.50	26T-12/24P-2.1667PD	7.00	0.75
	451498-004	SS-025	3.50	5.00	26T-8/16P-3.2500PD	10.50	1.00
	451498-004	SS-040	3.50	5.00	26T-8/16P-3.2500PD	10.50	1.00
	451498-006	SS-065	3.88	6.00	30T-8/16P-3.7500PD	12.00	1.38
	451498-005	SS-130	5.50	8.00	31T-6/12P-5.1667PD	16.00	1.38
For MP Models	26-11-0241	MP-11	0.50	0.88	*19T-40/80P-0.4570PD	2.00	0.25
	26-11-0240	MP-22	0.75	1.12	*29T-40/80P-0.7250PD	2.25	0.31
	26-11-0176	MP-32	1.63	2.31	1.25	3.75	0.50
	26-11-0176	MP-34	1.63	2.31	1.25	3.75	0.50
	26-11-0177	MP-63	1.75	3.63	2.00	5.25	0.63
	26-11-0178	MP-84	2.13	4.13	2.50	6.00	0.75
	26-11-0179	MP-105	2.50	5.25	3.00	7.25	0.88
	26-11-0180	MP-116	3.00	6.25	3.50	8.50	1.00
	26-11-0181	MP-128	4.25	7.25	4.00	10.00	1.25
For 26R Models	26-11-5034	26R-2	1.63	2.31	26T-20/40P-1.3000PD	3.75	0.50
	26-11-5035	26R-5	1.75	3.63	26T-16/32P-1.6250PD	5.25	0.63
	26-11-5036	26R-10	2.13	4.13	26T-12/24P-2.1667PD	6.00	0.75
	26-11-5037	26R-17	2.50	5.25	26T-10/20P-2.6000PD	7.25	0.88
	26-11-5038	26R-31	3.00	6.25	32T-10/20P-3.2000PD	8.50	1.00
	26-11-5039	26R-62	4.25	7.25	32T-8/16P-4.0000PD	10.00	1.25
	26-11-5040	26R-124	5.25	8.75	38T-8/16P-4.7500PD	12.25	1.75

\* Involute Serration

## COUPLINGS TYPE II

(See actuator model sections for SAE, ASA spline specifications)

### TYPE II COUPLINGS



	PART #	MODEL	A (in)	B (in)	C (in)	D (in)	E (in)
For SS Models	451497-010	SS-.2A	1.75	1.00	18T-32/64P-0.5625PD	0.88	0.626
	451497-009	SS.5A	2.00	1.25	22T-32/64P-0.6875PD	1.00	0.751
	451497-001	SS-001	2.00	1.75	20T-20/40P-1.0000PD	1.00	1.126
	451497-002	SS-004	3.00	2.50	24T-16/32P-1.5000PD	1.50	1.751
	451497-008	SS-008	4.00	3.00	30T-16/32P-1.8750PD	2.00	2.126
	451497-003	SS-012	4.50	3.50	26T-12/24P-2.1667PD	2.25	2.501
	451497-004	SS-025	6.00	5.00	26T-8/16P-3.2500PD	3.50	3.751
	451497-004	SS-040	6.00	5.00	26T-8/16P-3.2500PD	3.50	3.751
	451497-006	SS-065	8.00	6.00	30T-8/16P-3.7500PD	3.88	4.376
	451497-005	SS-130	10.00	8.00	31T-6/12P-5.1667PD	5.50	6.001
For MP Models	26-11-0182	MP-32	1.63	2.00	1.25	-	-
	26-11-0182	MP-34	1.63	2.00	1.25	-	-
	26-11-0183	MP-63	2.13	3.25	2.00	-	-
	26-11-0184	MP-84	2.50	3.75	2.50	-	-
	26-11-0185	MP-105	3.00	4.75	3.00	-	-
	26-11-0186	MP-116	4.25	5.75	3.50	-	-
	26-11-0187	MP-128	4.25	5.75	4.00	-	-
For 26R Models	26-11-5041	26R-2	1.63	2.00	26T-20/40P-1.3000PD	-	-
	26-11-5042	26R-5	1.75	2.75	26T-16/32P-1.6250PD	-	-
	26-11-5043	26R-10	2.13	3.25	26T-12/24P-2.1667PD	-	-
	26-11-5044	26R-17	2.50	3.75	26T-10/20P-2.6000PD	-	-
	26-11-5045	26R-31	3.00	4.75	32T-10/20P-3.2000PD	-	-
	26-11-5046	26R-62	4.25	5.75	32T-8/16P-4.0000PD	-	-
	26-11-5047	26R-124	5.25	7.00	38T-8/16P-4.7500PD	-	-